

July 2013

IGNITION LEADS

AUTOMOTIVE BULBS

AUTOMOTIVE FUSES

IGNITION COILS

page 1/7

**new sets ,
applications**

IGNITION LEAD SETS



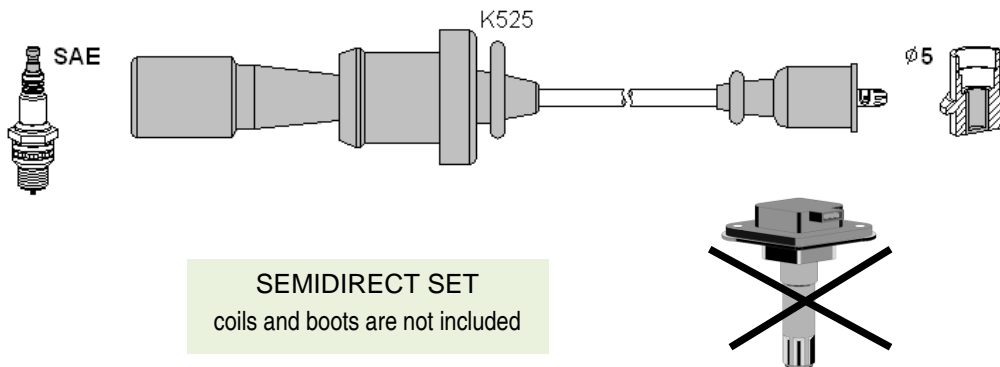
new sets 07-2013

Application of ignition lead sets

ALFA ROMEO	T353C	
GEELY	T379B	
GREAT WALL	T370B	
HYUNDAI	T309B	
KIA	T309B	
LANCIA	T791B	
LANDROVER	T365C	
MG	T365C	
MINI	T295P	
NISSAN	T319B	
RENAULT	T319B	T383B
ROVER	T365C	T366B
TOYOTA	T402P	


T295P K525 23 43 + + -
OEM No.

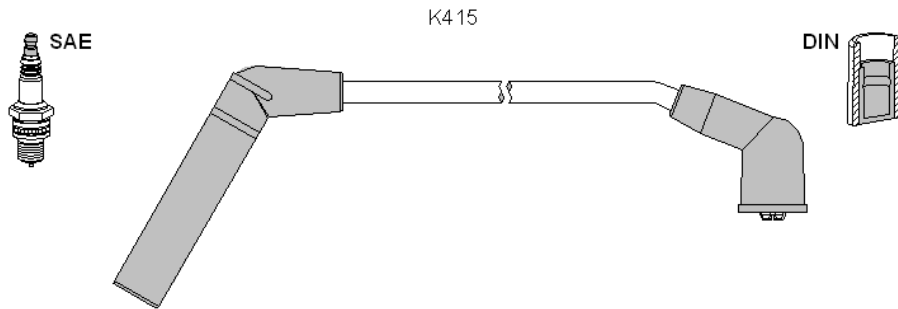
MITSUBISHI MD-343245



MITSUBISHI		from	to	kW	ccm	cyl	engine
LANCER VI (CJ-CP_)	2.0 16V Turbo EVO	08.1996	08.2003	206	1997	4	4G63 T
LANCER CARGO I Combi	2.0 16V	09.2003	12.2007	99	1997	4	4G63
OUTLANDER I (CU_W)	2.0 16V 4WD	05.2003	10.2006	93	1997	4	4G63
OUTLANDER I (CU_W)	2.0 16V	05.2003	10.2006	100	1997	4	4G63
OUTLANDER I (CU_W)	2.0 16V 4WD	05.2003	10.2006	100	1997	4	4G63
OUTLANDER I (CU_W)	2.0 16V Turbo 4WD	04.2004	10.2006	148	1997	4	4G63 T
OUTLANDER I (CU_W)	2.0 4WD	05.2003	10.2006	177	1997	4	

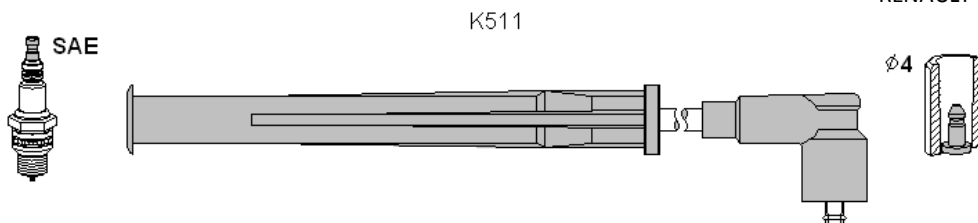
new sets 07-2013

T309B **K415 28 30 40 44** - OEM No.
 HYUNDAI 27501-02D00



HYUNDAI		from	to	kW	ccm	cyl	engine
ATOS (MX)	1.0 i	02.1998	03.2002	40	999	4	G4HC
ATOS (MX)	1.0 i	03.2001		43	999	4	G4HC-E
ATOS PRIME (MX)	1.0 i	08.1999		40	999	4	G4HC
ATOS PRIME (MX)	1.0 i	03.2001		43	999	4	G4HC-E
GETZ (TB)	1.1	09.2002	09.2005	46	1086	4	G4HD
i10	1.1	01.2008		49	1086	4	G4HG
i10	1.1	04.2011		51	1086	4	G4HG
KIA							
PICANTO (BA)	1.0	11.2009		46	999	4	G4HE

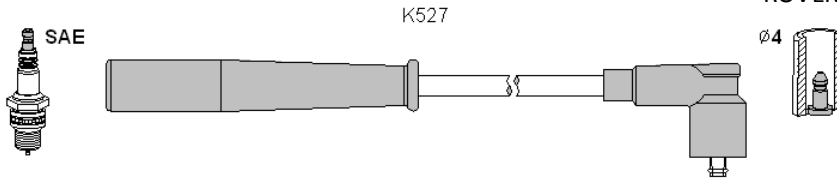
T319B **K511 35 37 40 50** - OEM No.
 RENAULT 7700114549



NISSAN		from	to	kW	ccm	cyl	engine
KUBISTAR (X76)	1.2	08.2003		44	1149	4	D7F 764
KUBISTAR Box	1.2	08.2003		44	1149	4	D7F 764
RENAULT							
CLIO II (BB0/1/2_, CB0/1/2_)	1.2	10.1999		43	1149	4	D7F 766/D7F 720
CLIO II (BB0/1/2_, CB0/1/2_)	1.2	06.2001	10.2003	55	1149	4	
CLIO II Box (SB0/1/2_)	1.1	10.1999		43	1149	4	D7F 720/D7F 726
KANGOO (KC0/1_)	1.2	10.1999		43	1149	4	D7F 710/D7F 744
KANGOO Express (FC0/1_)	1.2	10.1999		43	1149	4	D7F 710/D7F 744
TWINGO (C06_)	1.2	10.1999		40	1149	4	D7F 700/D7F 701
TWINGO (C06_)	1.2	10.1999		43	1149	4	D7F 700/D7F 702
TWINGO (CN0_)	1.2	03.2007		43	1149	4	D7F 800

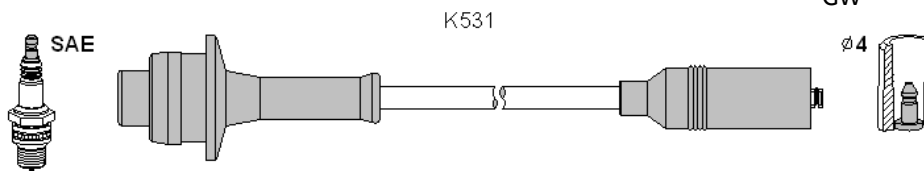
new sets 07-2013

T366B **K527 21 19 19 21** - OEM No. ROVER GHT289



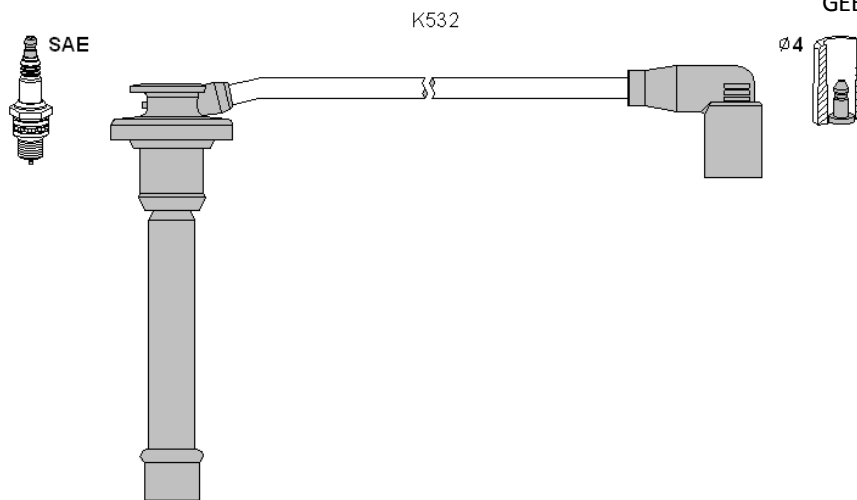
ROVER		from	to	kW	ccm	cyl	engine
MINI MK I	1300	10.1996	11.2000	46	1275	4	12A2E/12A...

T370B **K531 25 25 31 44** - OEM No. GW 37071004-E01



GREAT WALL		from	to	kW	ccm	cyl	engine
DEER G	2.2i	2004		78	2237	4	GW491QE
PEGASUS SUV	2.2i	2004		78	2237	4	GW491QE
RUV	2.2i	2004		78	2237	4	GW491QE
SAFE SUV	2.2i	2004		78	2237	4	GW491QE
SAILOR	2.2i	2004		78	2237	4	GW491QE
SING SUV	2.2i	2004		78	2237	4	GW491QE
SOCOOL	2.2i	2004		78	2237	4	GW491QE
SOKOL C3	2.2i	2004		78	2237	4	GW491QE

T379B **K532 53 46 34 22** - OEM No. GEELY E120200008



GEELY		from	to	kW	ccm	cyl	engine
CK Sedan	1.5i 16V	2005	2009	69	1498	4	MR479QA
MK 1	1.5i 16V	2005	2009	69	1498	4	MR479QA
MK 2	1.5i 16V	2005	2009	69	1498	4	MR479QA
OTAKA	1.5i 16V	2005	2009	69	1498	4	MR479QA

new sets 07-2013

Cross references

ALFA ROMEO TESLA	
60808240	T353C
BERU	
ZEF1036	T353C
ZEF1043	T791B
ZEF1085	T402P
* ZEF1612	T383B
BOSCH	
B131	T791B
B209	T366B
BOUGICORD	
1443	T319B
8120	T383B
9700	T353C
BREMI	
909	T353C
500/102	T402P
600/421	T791B
600/498	T319B
9A03/200	T365C
FACET	
4.7230	T319B
4.7235	T309B
4.7251	T295P
4.8707	T791B
4.9873	T402P
HYUNDAI	
27501-02D00	T309B

JANMOR	
FAS30	T791B
JM1200S	T383B
JP200	T295P
RVS26	T365C
RVS4	T366B
LANCIA	
7590061	T791B
MITSUBISHI	
MD-343245	T295P
NGK	
0885	T366B
7208	T791B
7408	T365C
44225	T383B
RENAULT	
7700114549	T319B
8200334440	T383B
ROVER	
GHT289	T366B
NGC000020	T365C
NGC104250	T365C
TOYOTA	
90919-21524	T402P



TESLA BLATNÁ, a.s.
 Palackého 644
 388 15 Blatná
 Czech Republic